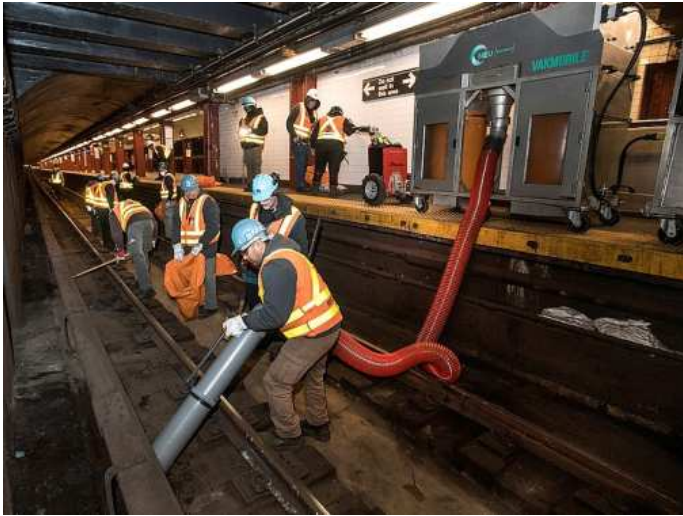


## PORTABLE VACUUM CLEANING UNIT VAKMOBILE



To improve cleanliness as perceived by the passengers and reduce the risk of trash fires, it is necessary to clean stations tracks on a regular basis.

Since 2016, **NEU RAILWAYS** has developed and put on the market the compact and portable version of its Vacuum Cleaning Train **VAKTRAK**, called **VAKMOBILE**.

**This vacuum cleaning unit dedicated to the collection of trash on the track bed of all railway stations** is completely self-powered and allow suction of the track installed on the platform thanks to its non-conductive suction wand, handled by one operator walking on the tracks.

It helps the operators to improve the quality and the speed of cleaning track beds in station areas compared to the manual cleaning carried out traditionally.

The **VAKMOBILE** is compact enough to be transported by the cleaning crew from one station to the other using the revenue cars.

The **NEU VAKMOBILE** is particularly designed for underground metro networks but can also be adapted for railway or tram networks. Daily use will increase safety and hygiene in the stations. It will also protect equipment and rolling stock.



### CONCEPT

The **NEU VAKMOBILE** is mainly composed of:

- A **Power Module** including a battery management system, a control panel and the flexible hose and suction wand compartment,
- A **Vacuum Module** to suck and store wastes and dust, including stainless steel buckets with disposable trash plastic bags for waste and dust storage, suction chopper fan, filtering cartridges with automatic cleaning,
- Electrical **Push / Puller**: for easy handling of the modules.



# PORTABLE VACUUM CLEANING UNIT

## VAKMOBILE



Power module



Vacuum module

### CHARACTERISTICS

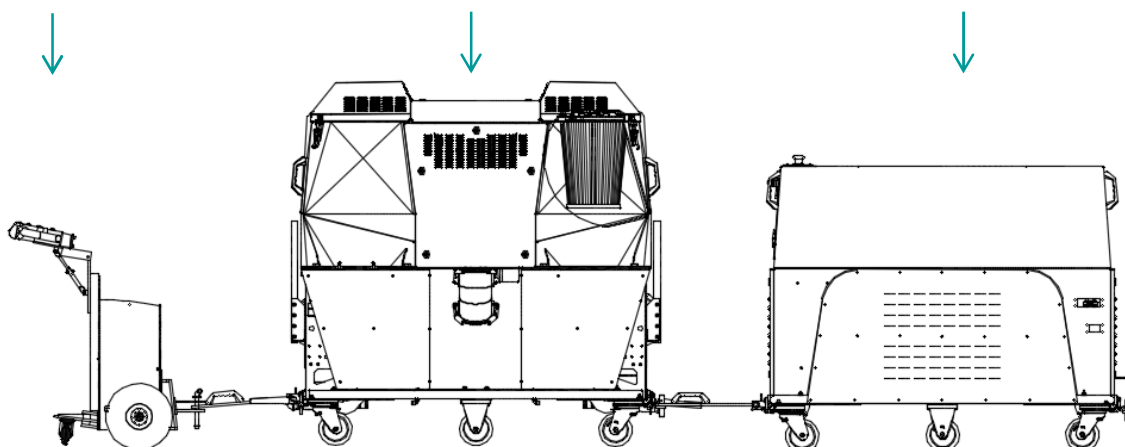
- ✓ **Cleaning stations**, on both sides of the track, under the platform, in trenches, on ballast or on concrete,
- ✓ **Independent battery operation** with up to 3 hours on one charge or mains power supply option,
- ✓ Waste **storage bags capacity** of around 100 liters each (a total of 200 liters of waste collection),
- ✓ **Efficient** on all types of rubbish and waste (cigarette ends, paper, boxes, cardboard, etc.) and dust particles (metal or organic),
- ✓ **Compact equipment** for maximum maneuverability,
- ✓ **Reduction** of maintenance costs.

### VAKMOBILE – SCHEMATIC DIAGRAM

ELECTRICAL PUSH / PULLER

VACUUM MODULE

POWER MODULE



Non contractual document. **NEU Railways** reserves the right to change specifications without prior notice. All rights reserved. Any communication, reproduction or use of the document without **NEU Railways** prior written consent is strictly prohibited.